

Specifications

Port Sizes	1/4", 3/8", 1/2"
Thread Styles	NPT, BSPT, BSPP
Flow Capacity	60 SCFM @ 100 PSI
Filter Capacity	0.01 micron & larger
Differential Pressure	< 5.0 PSID at rated flow
Max. Temp./Pressure (Aluminum Bowl)	175 °F/200 PSIG
Max. Temp./Pressure (Polycarbonate Bowl)	125 °F/150 PSIG
Approx. Weight (lb.)	7.0
ISO Class	1 Particulate/Oil

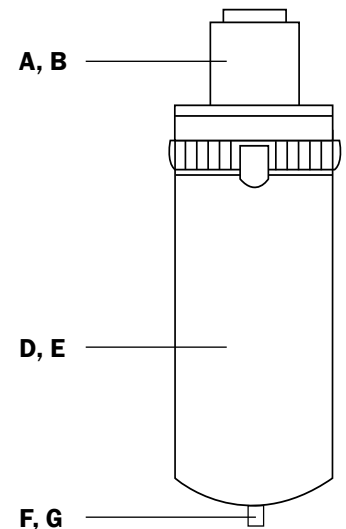
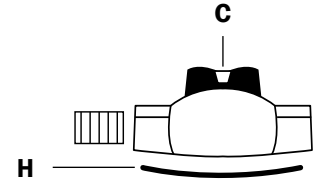
For higher pressure applications, consult factory. Units equipped with differential pressure indicator have max. temperature and pressure of 125 °F and 150 PSIG, regardless of bowl material.



Water
Dirt
Oil
Oil Vapor
Odor

Replacement Parts & Accessories

Description	Part Number
A Replacement Element, 1st Stage	3P-060
B Replacement Element, 2nd Stage	3C-060
C Differential Pressure Indicator	N32-W1-DPi
C Blanking Cap (Cover for units without indicator)	N32-95-020
D Bowl Assembly: Metal Bowl, Manual Petcock Drain, O-ring	N34-95-205
D Bowl Assembly: Metal Bowl, Automatic Float Drain, O-ring	N34-95-201
E Bowl Assembly: Poly Bowl, Manual Petcock Drain, O-ring*	N32-15-163
E Bowl Assembly: Poly Bowl, Automatic Float Drain, O-ring*	N32-15-165
F Manual Petcock Drain (Metal Bowl)	PC-02
F Manual Petcock Drain (Poly Bowl)	N32-95-182
G Automatic Float Drain (Metal Bowl)	N32-95-979
G Automatic Float Drain (Poly Bowl)	N32-95-973
H Bowl O-ring	N32-95-257
Mounting Bracket (Optional)	BK-1



Order Guide

Drain Type	Port Size	Model Number		Dimensions (in.)			
		Metal Bowl	Poly Bowl	Height**		Width	Depth
				Metal	Poly		
Manual	1/4"	3P-060-M02-DCP	3P-060-P02-DCP	10.2	10.8	8.0	3.9
	3/8"	3P-060-M03-DCP	3P-060-P03-DCP	9.7	10.3	8.0	3.9
	1/2"	3P-060-M04-DCP	3P-060-P04-DCP	9.7	10.3	8.0	3.9
Automatic	1/4"	3P-060-M02-DC	3P-060-P02-DC	10.5	11.2	8.0	3.9
	3/8"	3P-060-M03-DC	3P-060-P03-DC	10.0	10.7	8.0	3.9
	1/2"	3P-060-M04-DC	3P-060-P04-DC	10.0	10.7	8.0	3.9

*Poly bowls come with metal bowl guard

**To add an indicator, add "i" to end of model number (Indicator adds about 1" to height)

Specifications

Port Sizes	1/2", 3/4", 1"
Thread Styles	NPT, BSPT, BSPP
Flow Capacity	90/150 SCFM @ 100 PSI
Filter Capacity	0.01 micron & larger
Differential Pressure	< 5.0 PSID at rated flow
Max. Temp./Pressure (Aluminum Bowl)	175 °F/200 PSIG
Max. Temp./Pressure (Polycarbonate Bowl)	125 °F/150 PSIG
Approx. Weight (lb.)	12.0
ISO Class	1 Particulate/Oil

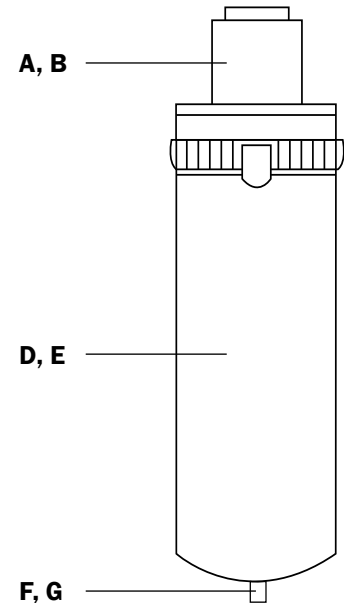
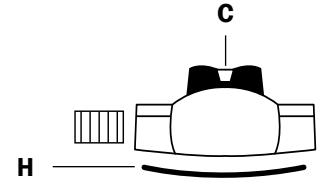
For higher pressure applications, consult factory. Units equipped with differential pressure indicator have max. temperature and pressure of 125 °F and 150 PSIG, regardless of bowl material.



Water
Dirt
Oil
Oil Vapor
Odor

Replacement Parts & Accessories

Description	Part Number
A Replacement Element, 1st Stage	3P-090/3P-150
B Replacement Element, 2nd Stage	3C-090/3C-150
C Differential Pressure Indicator	N32-W1-DPi
C Blanking Cap (Cover for units without indicator)	N32-95-020
D Bowl Assembly: Metal Bowl, Manual Petcock Drain, O-ring	N34-15-180
D Bowl Assembly: Metal Bowl, Automatic Float Drain, O-ring	N34-15-178
E Bowl Assembly: Poly Bowl, Manual Petcock Drain, O-ring*	N32-15-167
E Bowl Assembly: Poly Bowl, Automatic Float Drain, O-ring*	N32-15-035
F Manual Petcock Drain (Metal Bowl)	PC-03
F Manual Petcock Drain (Poly Bowl)	N32-95-182
G Automatic Float Drain (Metal Bowl)	N32-95-979
G Automatic Float Drain (Poly Bowl)	N32-95-973
H Bowl O-ring	N32-95-256
Mounting Bracket (Optional)	N32-95-734



Order Guide

Drain Type	Port Size	Model Number			
		Metal Bowl		Poly Bowl	
		Low Flow	Med Flow	Low Flow	Med Flow
Manual	1/2"	3P-090-M04-DCP	3P-150-M04-DCP	3P-090-P04-DCP	3P-150-P04-DCP
	3/4"	3P-090-M06-DCP	3P-150-M06-DCP	3P-090-P06-DCP	3P-150-P06-DCP
	1"	3P-090-M08-DCP	3P-150-M08-DCP	3P-090-P08-DCP	3P-150-P08-DCP

Dimensions (in.)	
Height**	
Metal	Poly
17.0	14.0
Width	Depth
9.8	4.8

Automatic	Port Size	3P-090-M04-DC	3P-150-M04-DC	3P-090-P04-DC	3P-150-P04-DC	
		1/2"	3P-090-M06-DC	3P-150-M06-DC	3P-090-P06-DC	3P-150-P06-DC
		3/4"	3P-090-M08-DC	3P-150-M08-DC	3P-090-P08-DC	3P-150-P08-DC
1"						

Height**	
Metal	Poly
17.0	15.0

*Poly bowls come with metal bowl guard

**To add an indicator, add "I" to end of model number (Indicator adds about 1" to height)