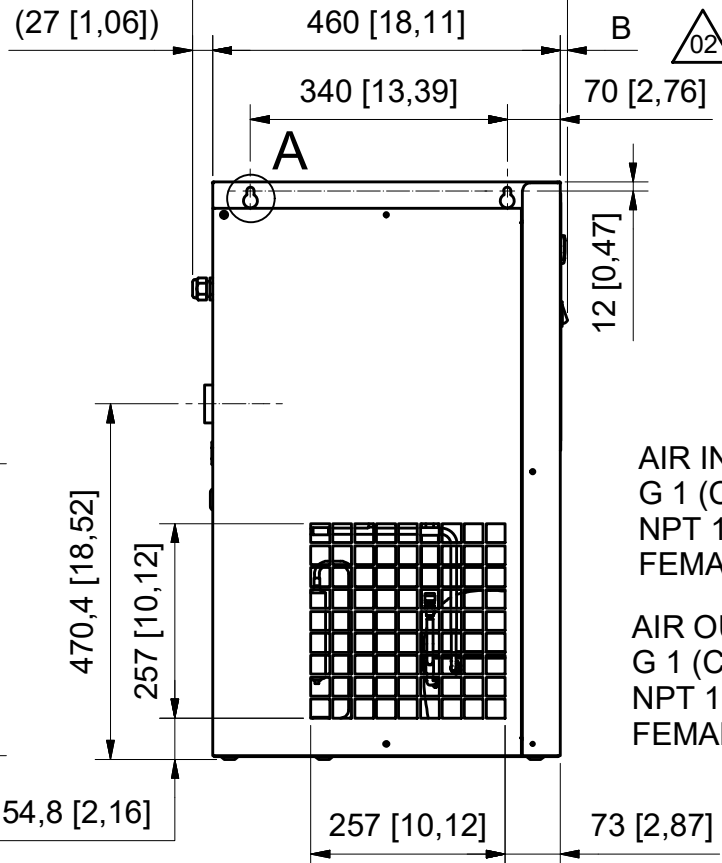
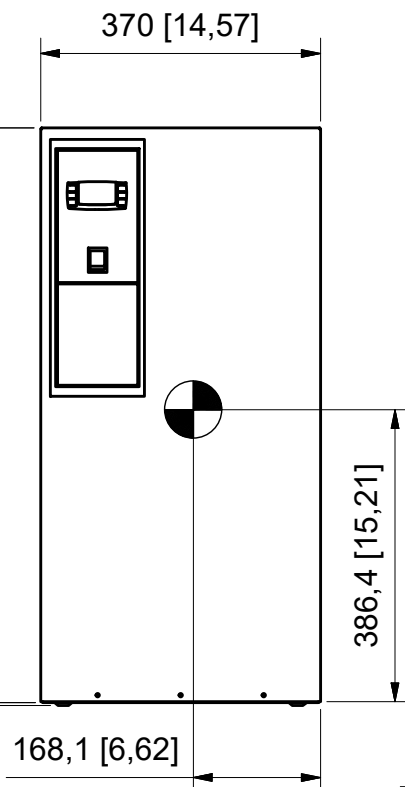


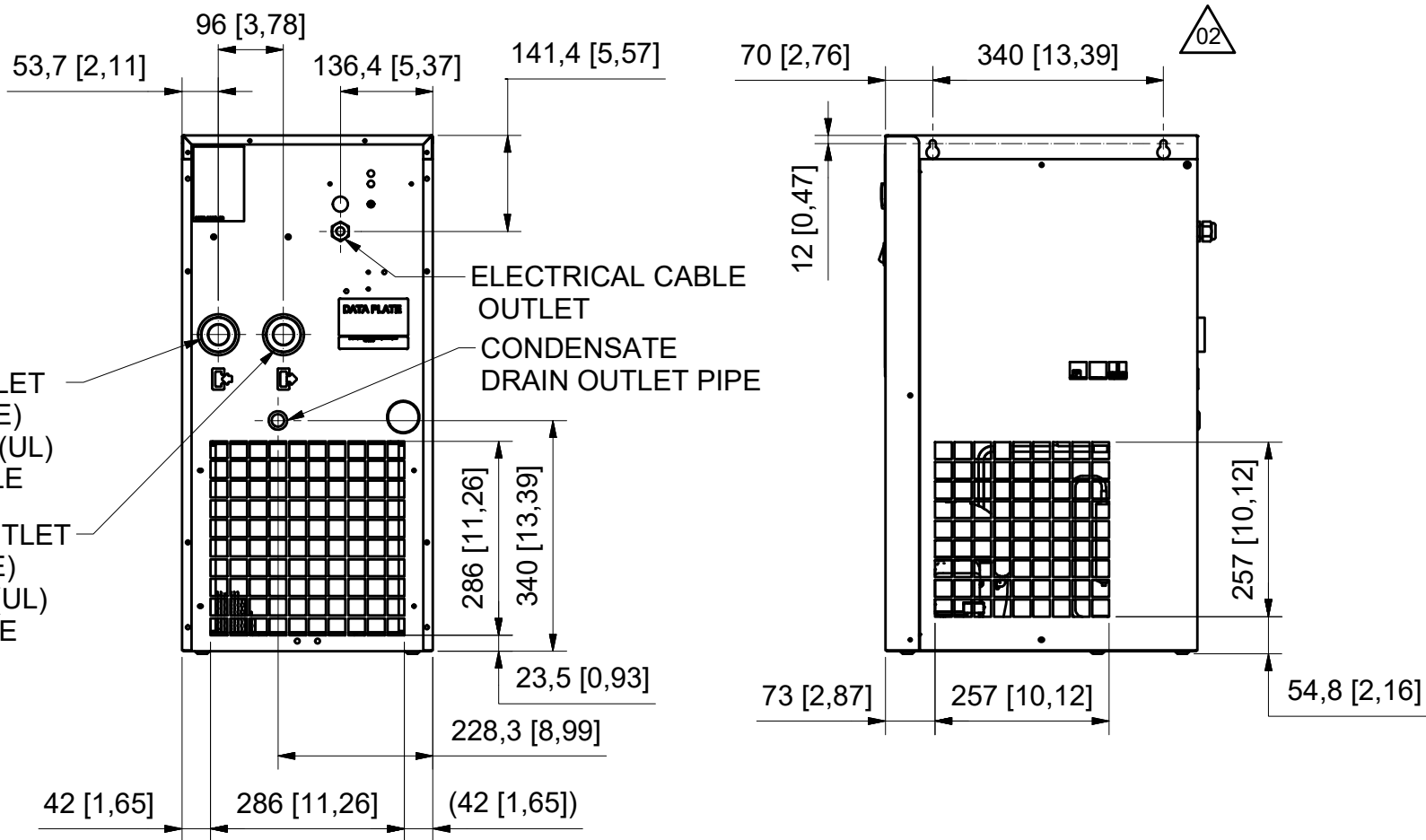
All materials supplied are in compliance with the requirements of the List of Prohibited Substances

763,8 [30,07]  
760 [29,92]  
(3,8 [0,15])



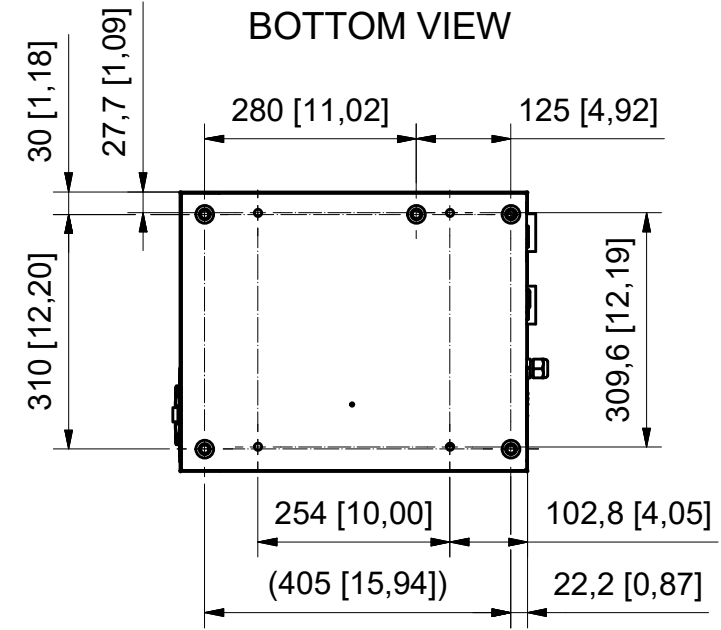
AIR INLET  
G 1 (CE)  
NPT 1 (UL)  
FEMALE

AIR OUTLET  
G 1 (CE)  
NPT 1 (UL)  
FEMALE



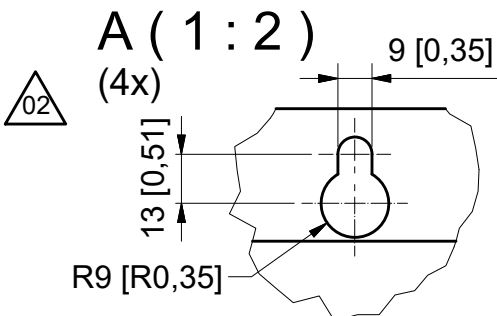
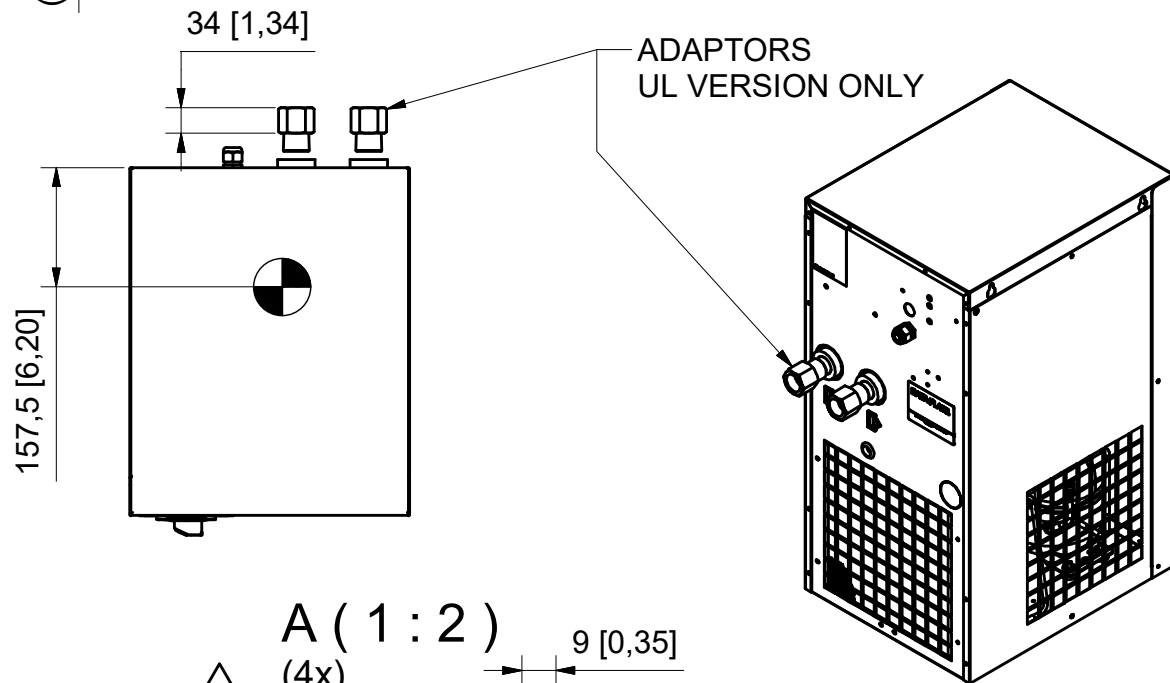
ELECTRICAL CABLE  
OUTLET

CONDENSATE  
DRAIN OUTLET PIPE



BOTTOM VIEW

DRYER VERSION	A (mm / inch)	B (mm / inch)
CE	497 / 19,56	10 / 0,39
UL	514 / 20,23	27 / 1,06



Tolerances, if not indicated, according to:				
Name	DIMENS. DRWG		QPNC83-106	Confidentiality Class acc. to 1102 K
Material	Not Applicable			Confidential
Treatment	Not Applicable			INV
Scale	1 : 12	Family	E5-6	Compare
Drawn by	CAIsbon	Blank nr.		Replaces
Drawing format	Blank wt	kg	Fini wt. 29,579 kg	Designation
STATUS	A3	Des checked.	Prod checked.	Approved.
				Date 04/06/2018
				Sheet 1 / 1
				9828083696

● CENTER OF GRAVITY

ALL DIMENSIONS: mm [inch]

02	Holes 4x added (detail A). CID.27045. DN 18058429	30-10-18	asavio	9828083696	
Ed	Position	Date	Intr./Appd.	Parent 3D model	Ed . Version 3D

CONFIDENTIAL: This document is property of Atlas Copco AB and shall not without our permission be altered, copied, used for manufacturing or communicated to any other person or company.