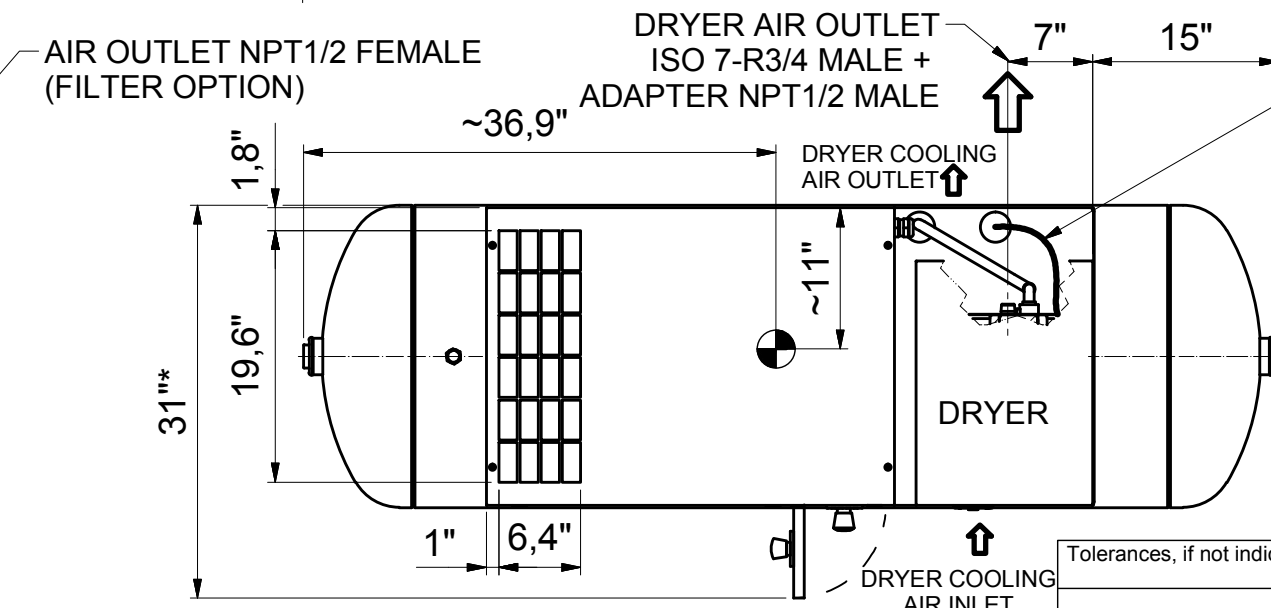
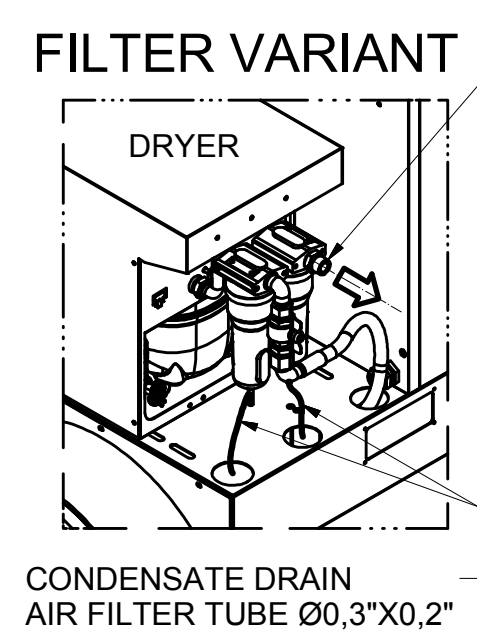
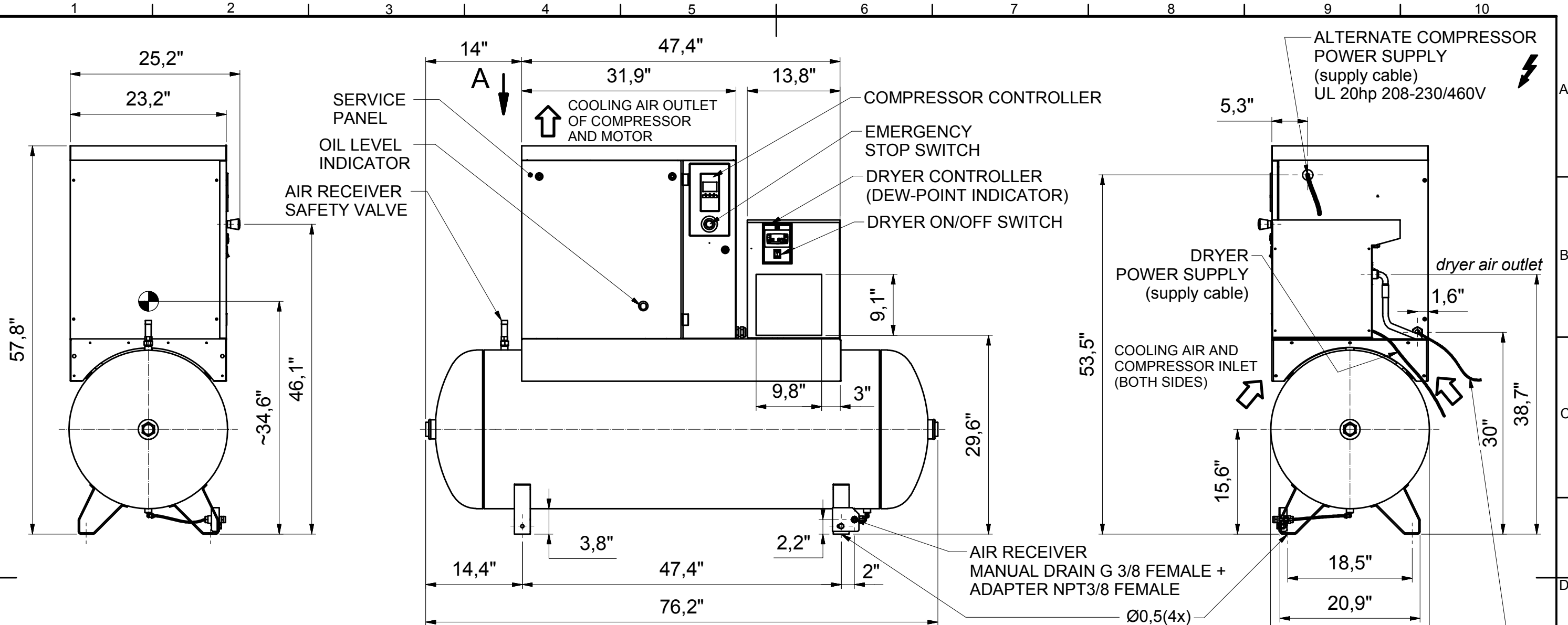


All materials supplied are in compliance with the requirements of the List of Prohibited Substances



Power	Approx. weight
kW (Hp)	±20 (lb)
7,5 (10)	727
11 (15)	760
15 (20)	793

- Filter variant: add 11 lb

NOTES:
 - CENTER OF GRAVITY
 * - CUBICLE DOOR FULLY OPEN

Tolerances, if not indicated, according to:									
Name		DIMENSION DRAWING			C55* MAXI DRYER TM			Confidentiality Class acc. to 1102 K	
Material		Not applicable			IMPERIAL			Internal	
Treatment		Not applicable						INV	
Scale		1:1:5		Family		Compare		Drawing owner	
Drawn by		INEmama		Blank nr.		Replaces		CAI	
Drawing format		Blank wt		Kg		Fini wt.		N/A	
STATUS		A3		Des checked.		Prod checked.		Approved.	
Ed		Position		Date		Date		Date	
-01				31-08-2016		9828083261			
Ed		Modified from		Date		Intr./Appd.		Parent 3D model	
								Ed . Version 3D	
								Approved	
								Designation	
								Sheet 1 / 1	
								9828083262	

CONFIDENTIAL: This document is our property and shall not without our permission be altered, copied, used for manufacturing or communicated to any other person or company.