

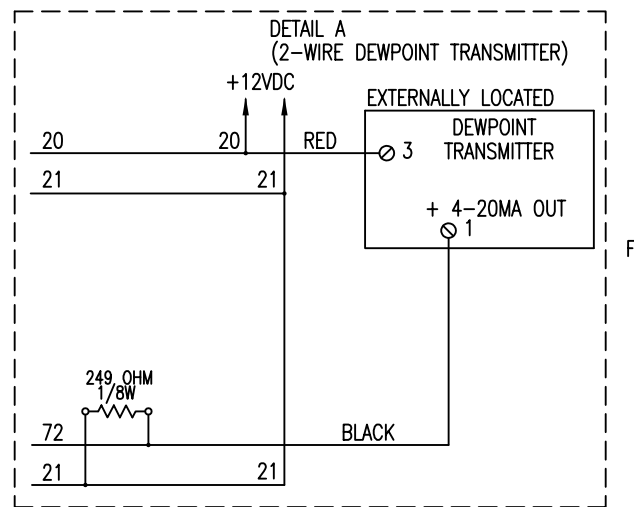
4

3

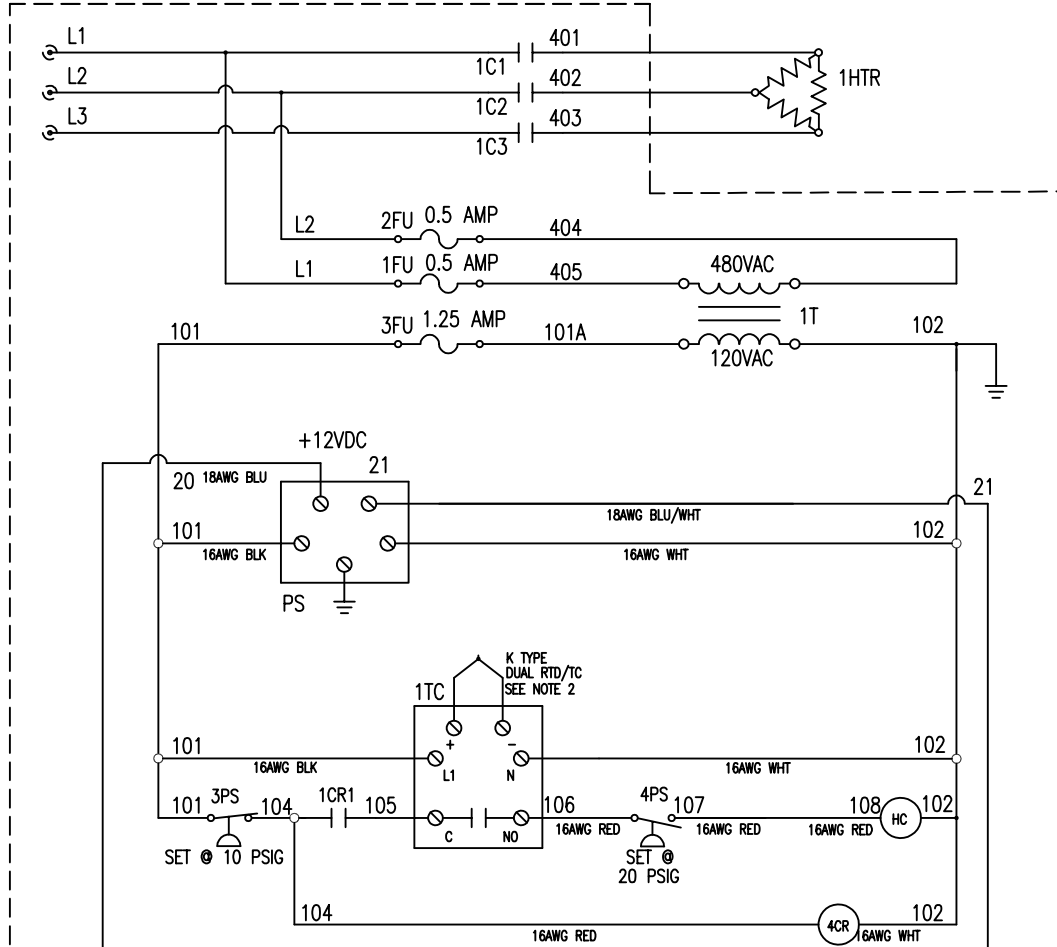
2

1

- REVISIONS -							
ZONE	REV	DESCRIPTION	CHG BY	CHK BY	APP BY	REL BY	DATE
-	A	REVISED RH SENSOR WIRING FOR BOTH NEW & OLD STYLE.	JJO	KJN	KJN	SDM	07/28/06
-	B	ADDED DEWPOINT DIAGRAM, CHANGED F & G WIRING TO 12VDC	MHO	KJN	KJN	SDM	10/26/09
-	C	UPDATED DRAWING FOR THE 5 PRESS SW.	MHO	KJN	KJN	SDM	05/28/13
-	D	REMOVED #5 PS	JKT	MHO	MHO	SDM	09/24/13
-	E	MC-ADDED NOTES AT WIRING AND NOTE 2	YDA/BEC	MHO	MHO	YDA/BEC	05/28/19



CUSTOMER PROVIDED
480VAC, 3 PHASE
FUSED, AS PER TABLE 1.0



NOTES:
NEW RH SENSOR HAS 6 WIRES COMPARED TO 5 WIRES ON THE OLD SENSOR. -VDC WIRE ON THE NEW RH SENSOR IS ORANGE AND IT WAS WHITE ON THE OLD SENSOR. THE NEW RH SENSOR HAS A GROUND WIRE & THE OLD SENSOR DOES NOT HAVE A GROUND WIRE. YELLOW (NOT ON OLD) RH SENSOR)

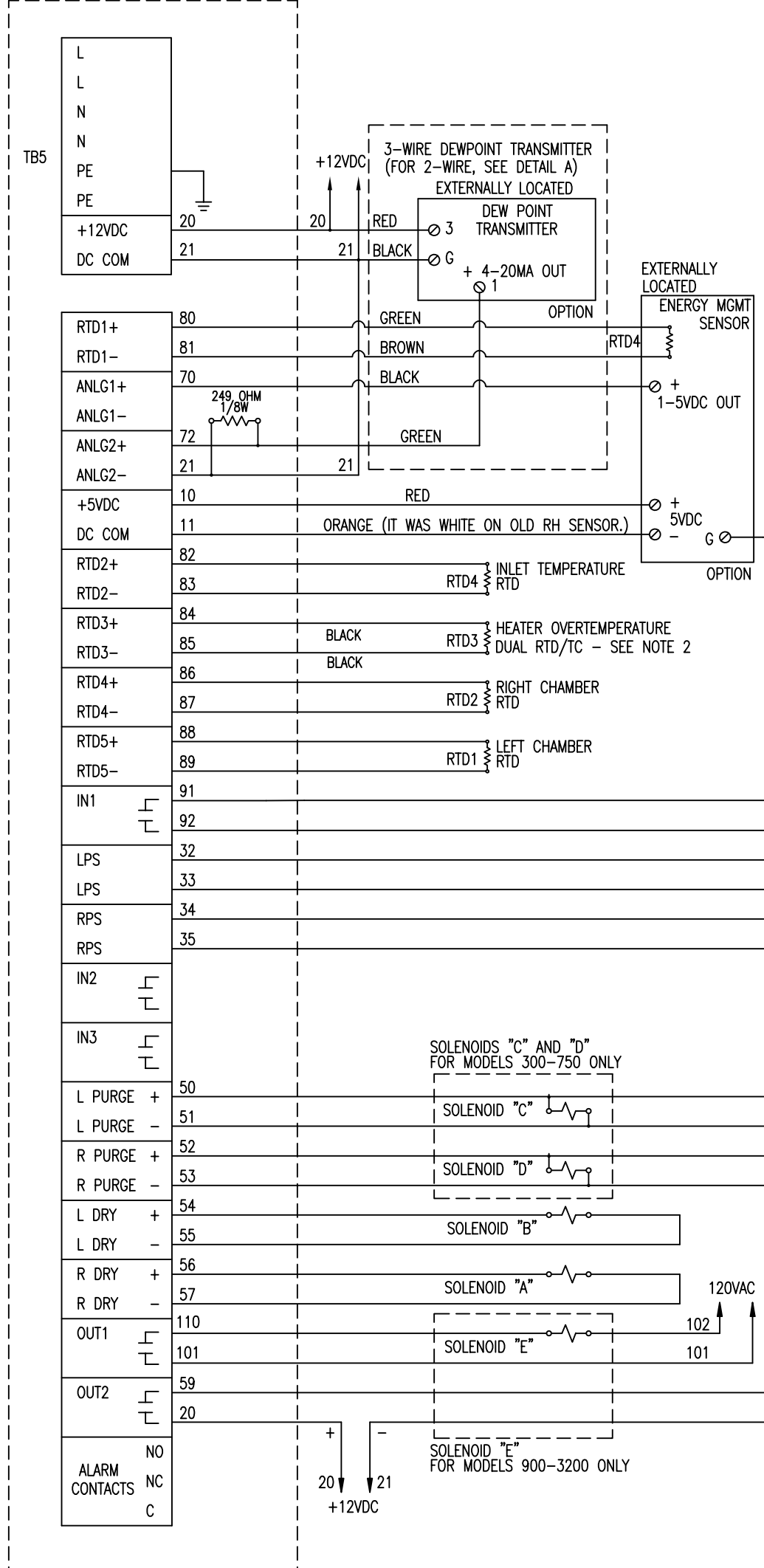
CONTROL BOARD JUMPER SETTINGS:

- JP1 - OFF - EXTERNAL HEATED DRYER CONFIGURATION
- JP2 - ON - BLOWER PURGE DRYER CONFIGURATION
- JP3 - ON - ENERGY MANAGEMENT INSTALLED
- JP4 - ON - DEWPOINT TRANSMITTER INSTALLED
- JP5 - ON - DISABLE COOLING CYCLE (FOR BLOWER PURGE ONLY)
- JP6 - ON - ENABLE SWITCHING FAILURE
- JP7 - ON - FAST CYCLE (FOR FACTORY SOFTWARE TEST ONLY)
- JP8 - ON - TO ENABLE LANGUAGE DOWNLOADS
- JP9 - ON - TO ENABLE FACTORY SET-UP SCREENS

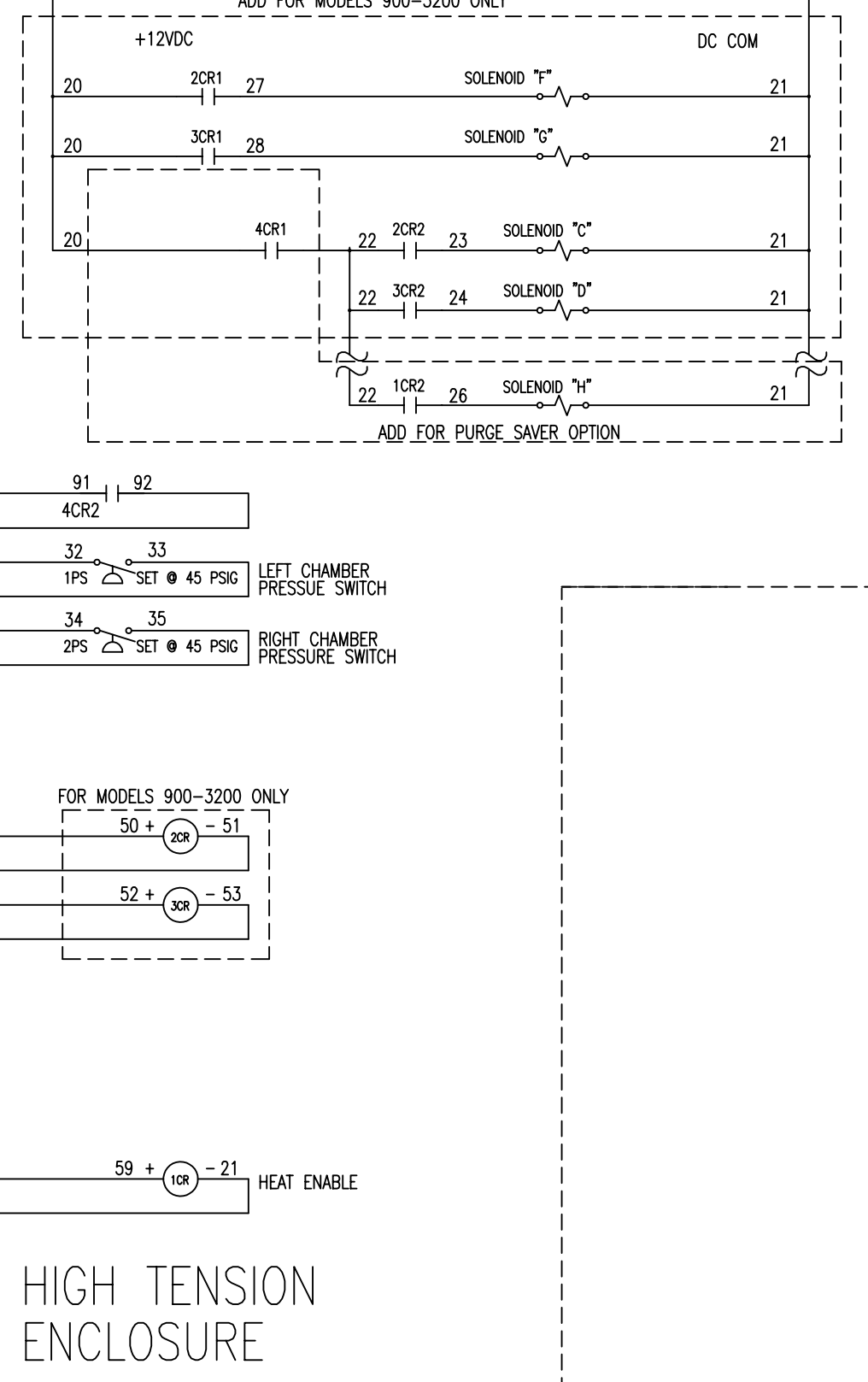
TABLE 1.0

MODEL NO.	HEATER KW	F.L.A. @480VAC	SUGGESTED LD. CENTER	HEATER WIRE SIZE
300	5.0	6.01	10.0 AMPS	#12 AWG
400	7.0	8.8	15.0 AMPS	#12 AWG
500	7.0	8.8	15.0 AMPS	#12 AWG
600	8.0	9.62	15.0 AMPS	#12 AWG
750	10.0	12.02	20.0 AMPS	#12 AWG
900	12.0	14.43	20.0 AMPS	#12 AWG
1050	14.0	16.85	25.0 AMPS	#10 AWG
1300	17.0	21.34	30.0 AMPS	#8 AWG
1500	19.0	22.85	30.0 AMPS	#8 AWG
1800	23.0	27.66	35.0 AMPS	#8 AWG
2200	27.5	33.07	45.0 AMPS	#8 AWG
2600	32.0	38.49	50.0 AMPS	#8 AWG
3200	39.0	46.91	60.0 AMPS	#6 AWG

LOW TENSION ENCLOSURE



HIGH TENSION ENCLOSURE



NOTES:

- ALL ELECTRICAL COMPONENTS SHALL BE CSA APPROVED.
- THIS IS A SINGLE PROBE DUAL RTD/TC. 2 SINGLE BLACK WIRES ARE FOR THE RTD CONNECTIONS AND THE THERMOCOUPLE WIRE WITH ONE RED/ONE YLW WIRE IS FOR THERMOCOUPLE CONNECTIONS TO THE TEMPERATURE CONTROLLER.

UNLESS OTHERWISE SPECIFIED:		NAME	DATE	UNAUTHORIZED USE, MANUFACTURE, OR REPRODUCTION IN WHOLE OR IN PART IS PROHIBITED. DRAWING DESIGN AND OTHER DISCLOSURES ARE PROPERTY OF:	
DIMENSIONS ARE IN: INCHES/MM		DWN BY	DSL 06/21/05		
SURFACE FINISH: N/A ✓		ENG BY	MGN 05/03/04	<p>* DO NOT SCALE. USE DIMENSIONS ONLY *</p> <p>ELECTRICAL SCHEMATIC</p> <p>HPD DRYER, 480VAC</p>	
TOL.	MM	INCHES	CHK BY		KJN 06/21/05
.X	-	-	APP BY		KJN 06/21/05
.XX	-	-	REL BY		SDM 06/21/05
.XXX	-	-	MAT NO.		
FRACT: ±1/16 ANG: ±1/2°		SCALE: NONE WT: N/A		SIZE	
				DWG. NO.	
				0027008-D2	
				REV. SHEET	
				E 1/1	

4

3

2

1