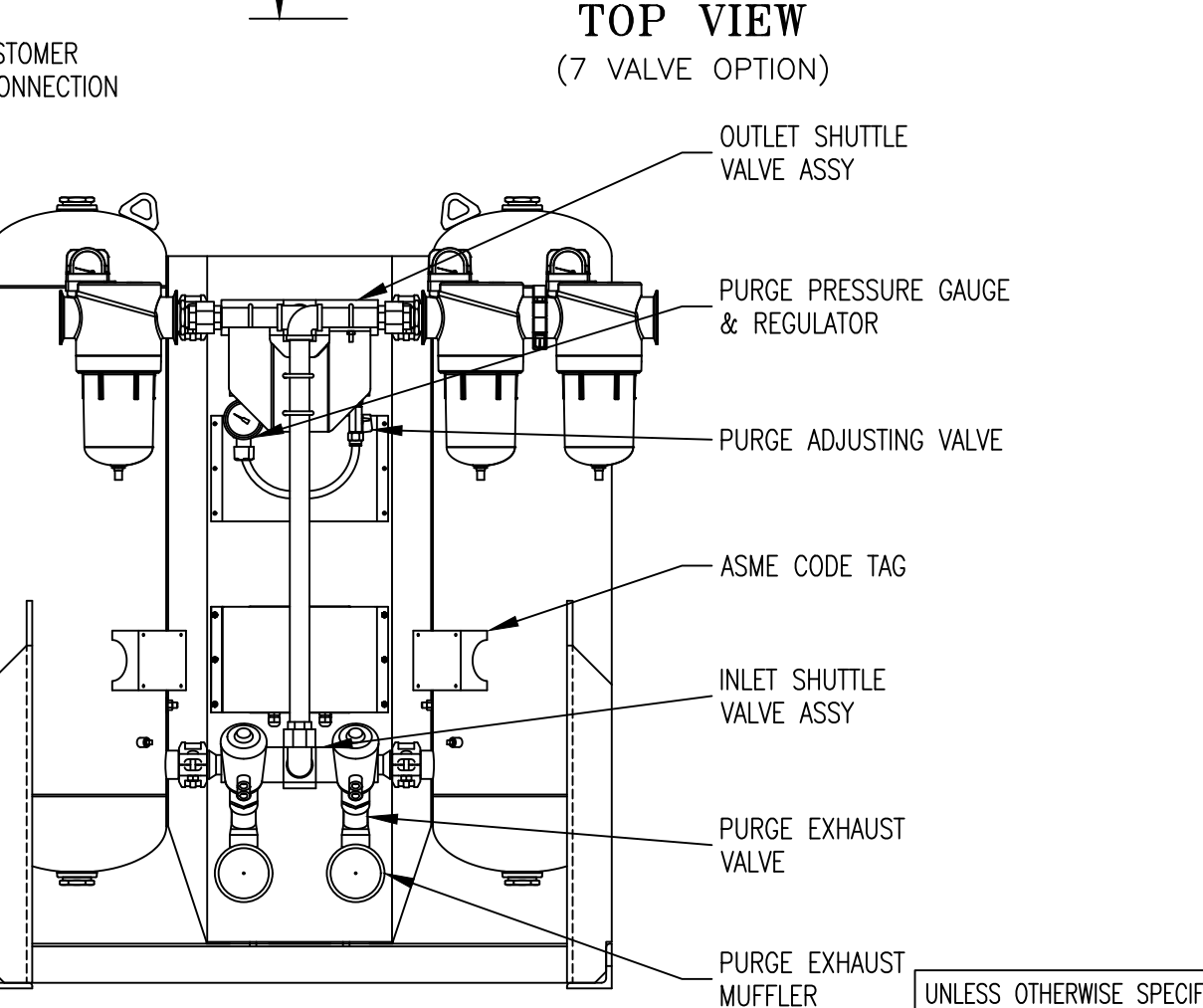
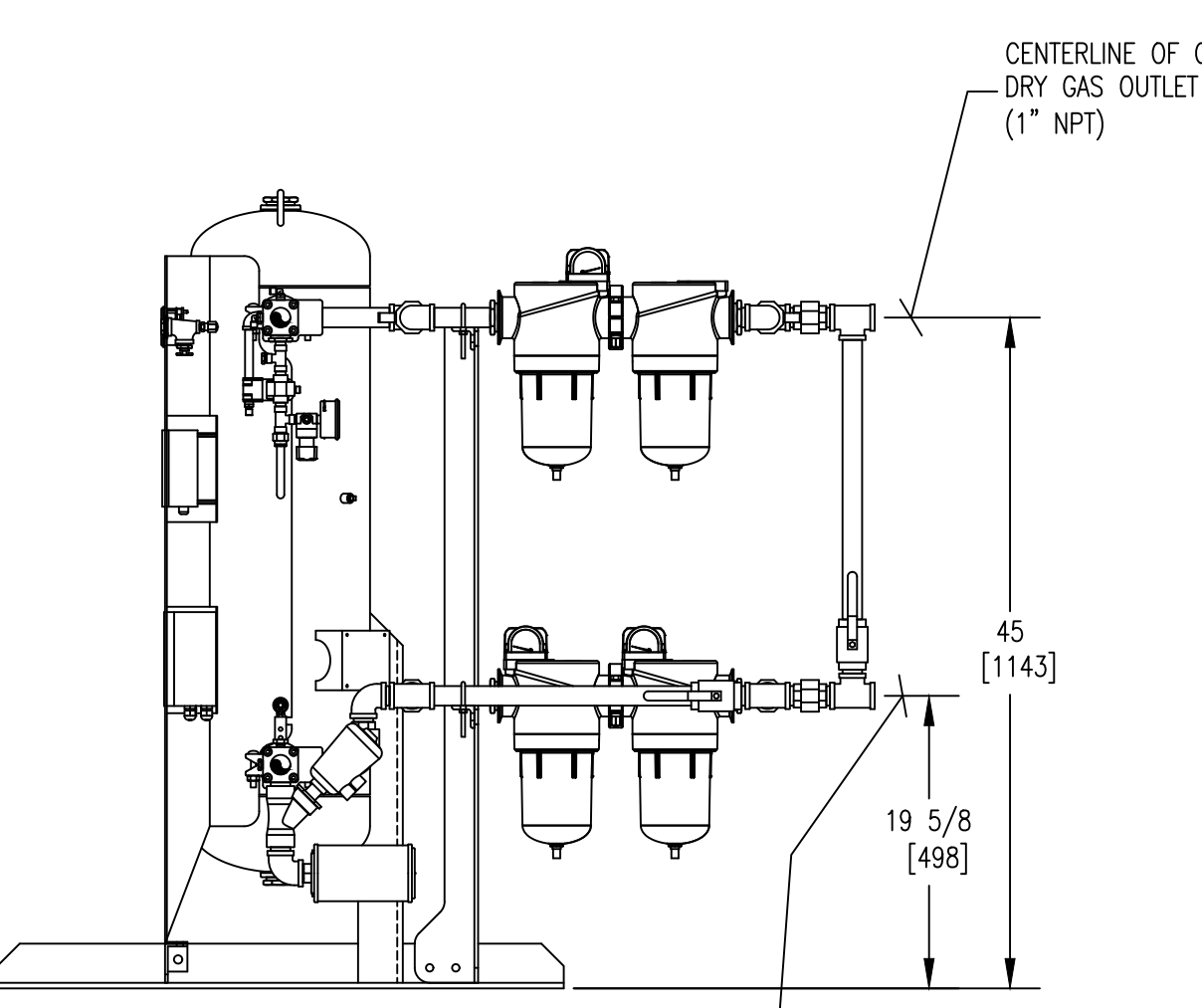
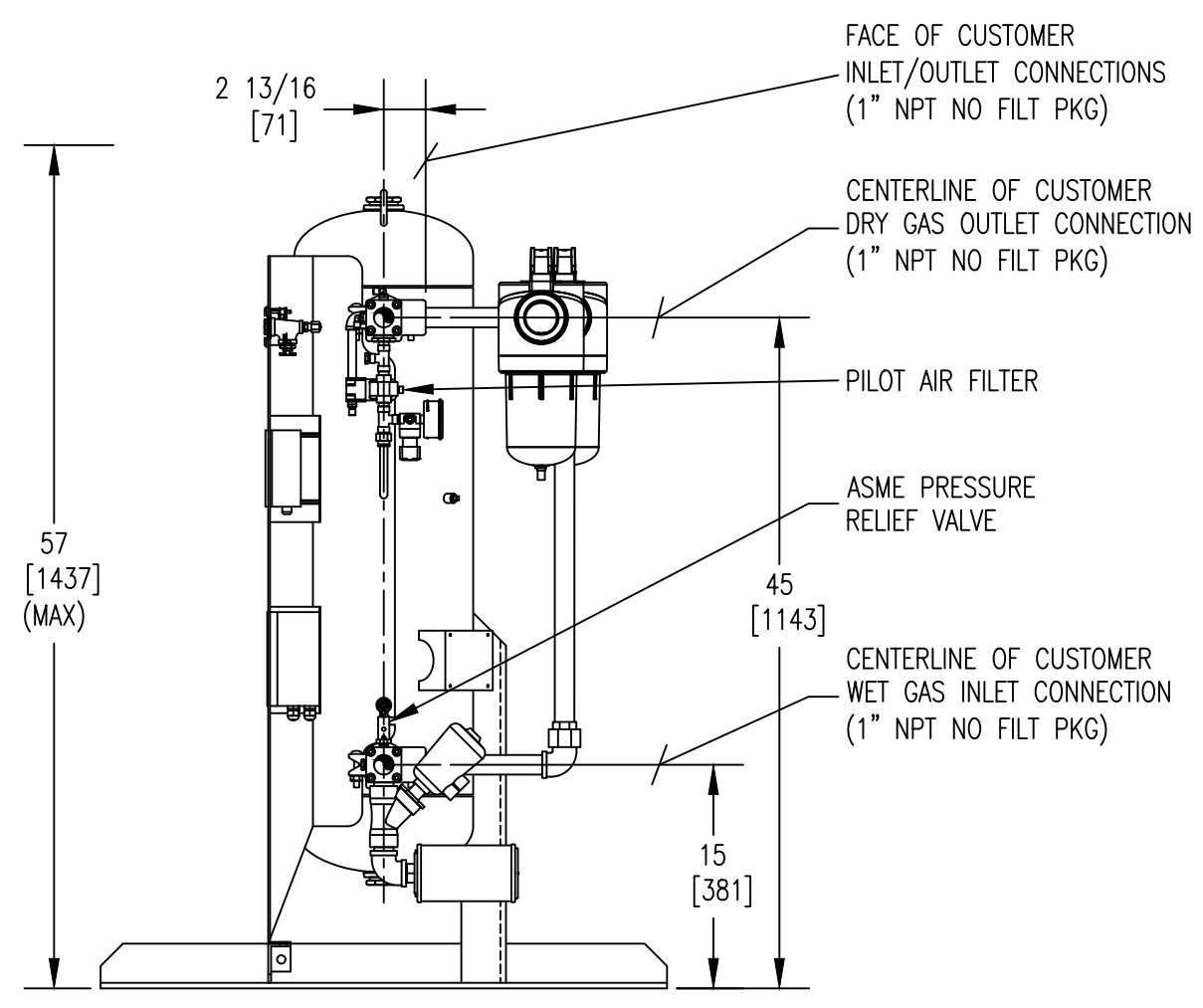
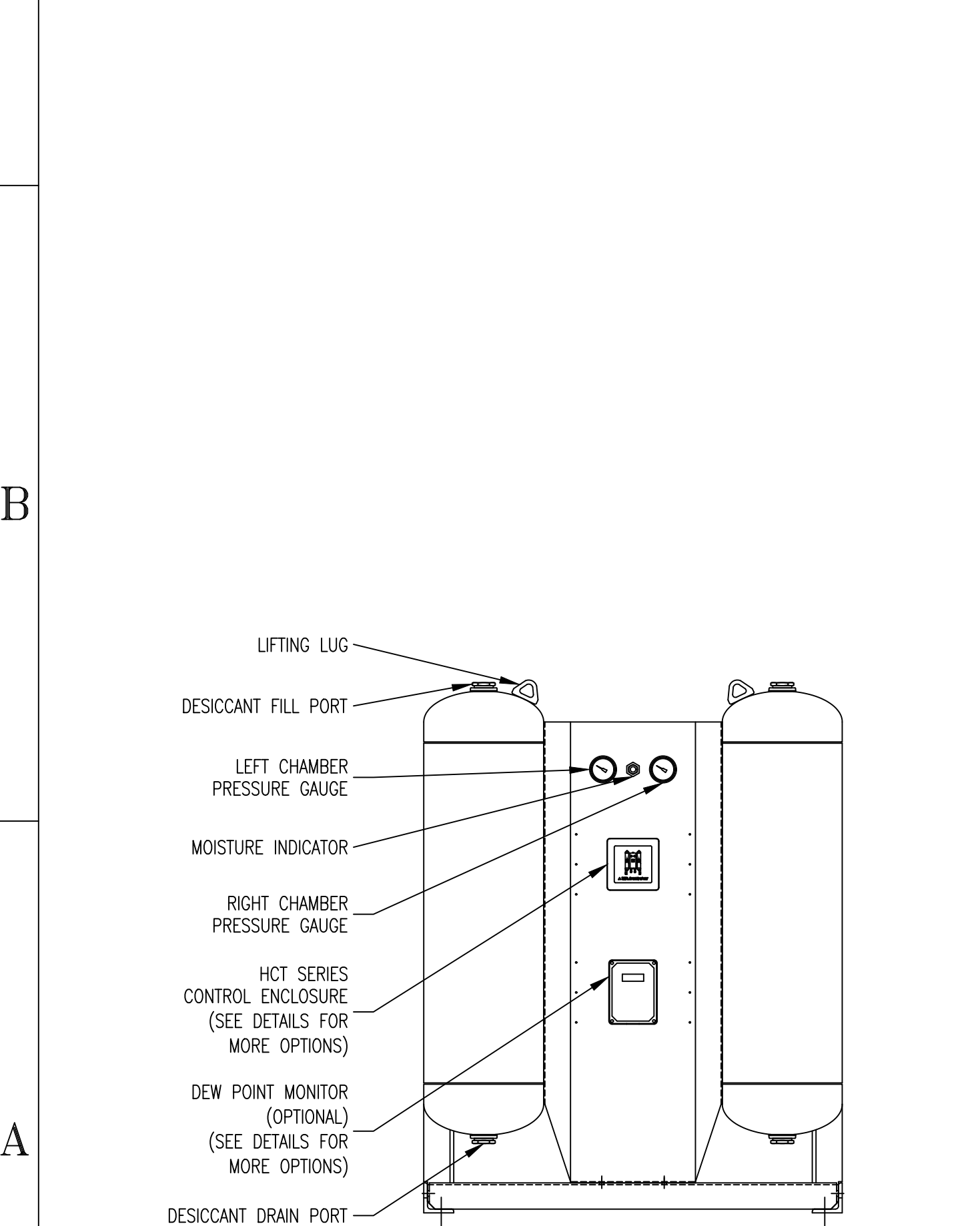
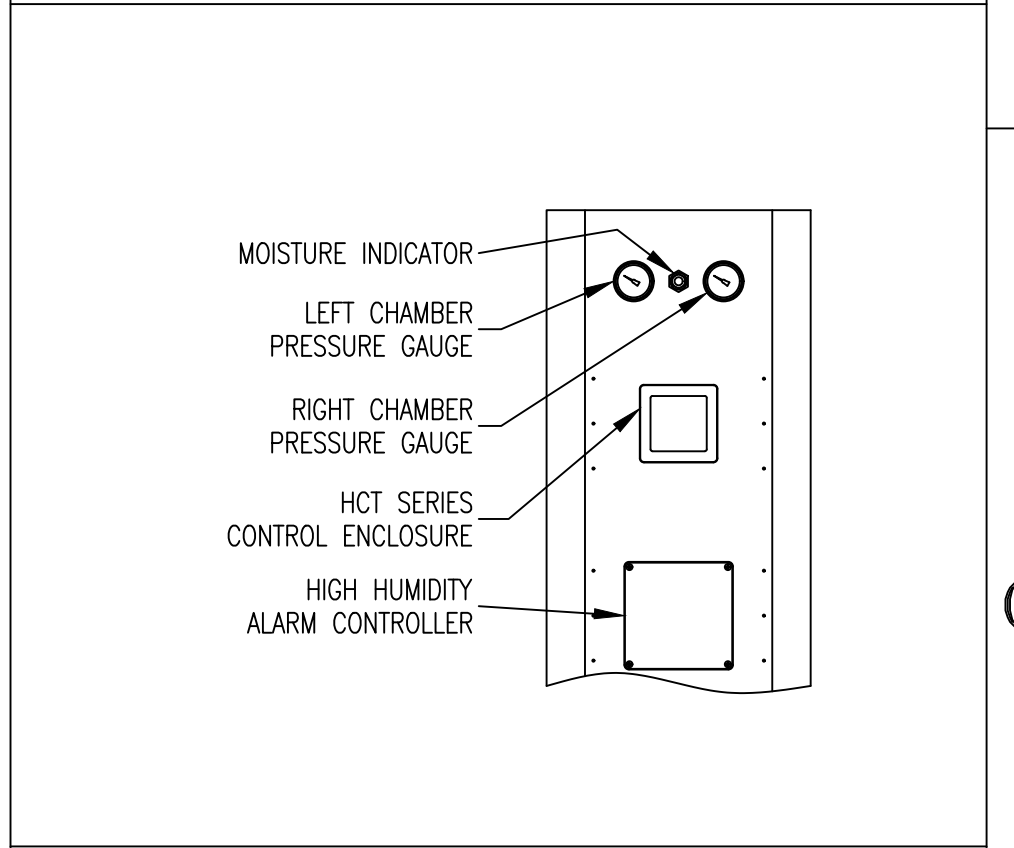


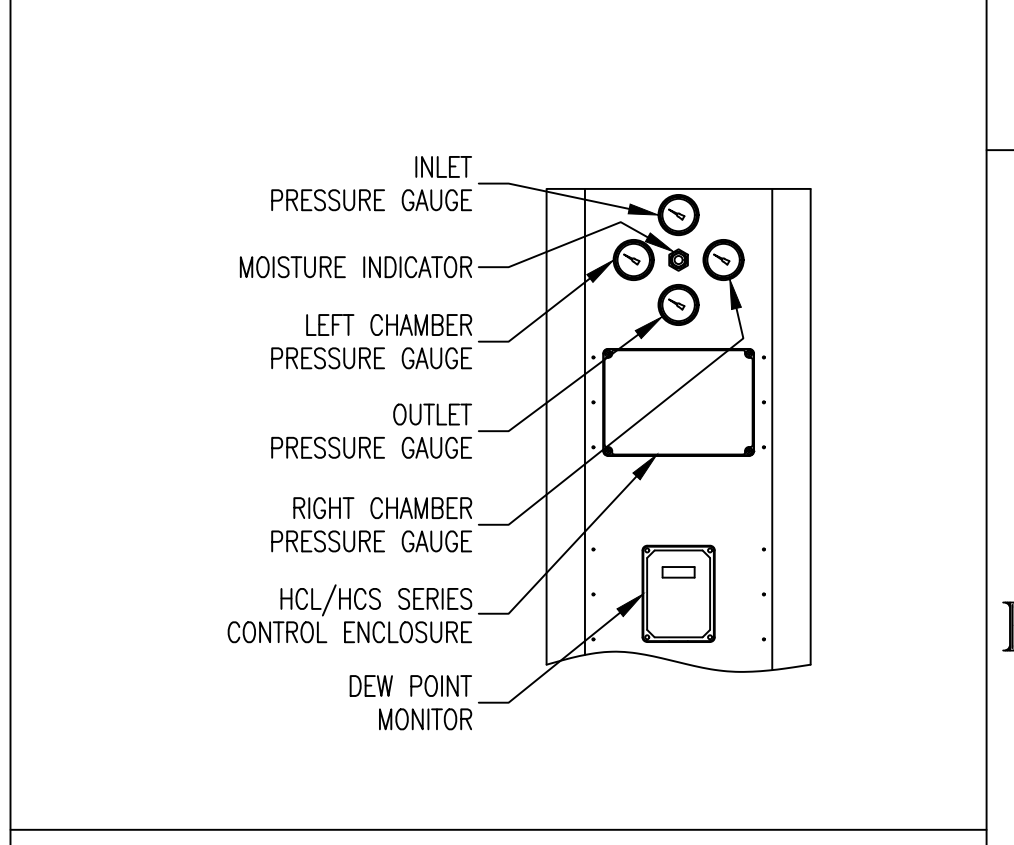
- NOTES:
- THIS DRAWING, TOGETHER WITH P&ID AND SPECIFICATION SHEET, PROVIDES OPERATING CONDITIONS, SPECIFICATIONS, INSTALLATION, MOUNTING AND CONNECTION REQUIREMENTS.
  - PRESSURE VESSELS ARE DESIGNED AND BUILT IN ACCORDANCE WITH THE CURRENT CODE AND ADDENDA OF SECTION VIII, DIV. I, OF THE A.S.M.E. CODE FOR UNFIRED PRESSURE VESSELS.
  - ELECTRICAL CONSTRUCTION IS IN ACCORDANCE WITH THE NATIONAL ELECTRICAL CODE.
  - ANCHOR BOLTS ARE TO PROJECT A MINIMUM OF 2" ABOVE THE FOUNDATION. ANCHOR BOLTS SHOULD BE INSTALLED IN SLEEVES TO ALLOW SOME ADJUSTMENT AT TIME OF INSTALLATION.
  - FOR MAINTENANCE PURPOSES, RECOMMENDED CLEARANCE AROUND DRYER IS 4 FEET [1220 MM].
  - IF THE EQUIPMENT IS TO DRY (OR REACTIVATE WITH) A GAS OTHER THAN AIR, THE OUTLETS OF THE SAFETY VALVE, REACTIVATION GAS OUTLET LINE, BLOWDOWN VALVES, ETC. TO BE PIPED AWAY TO A SAFE LOCATION (BY PURCHASER). IN PIPING AWAY GAS, DO NOT PIPE UPWARD WITHOUT ADEQUATE ARRANGEMENTS TO PREVENT TRAPPING CONDENSATION.
  - CUSTOMER SHOULD REQUEST A COPY OF QMS-013 IF PLANNING ON STORING UNIT LONG TERM BEFORE PLACING INTO SERVICE.
  - WEIGHTS: SHIPPING WEIGHT 685 LBS. (APPROX.)  
OPERATING WEIGHT 311 KGS (APPROX.)



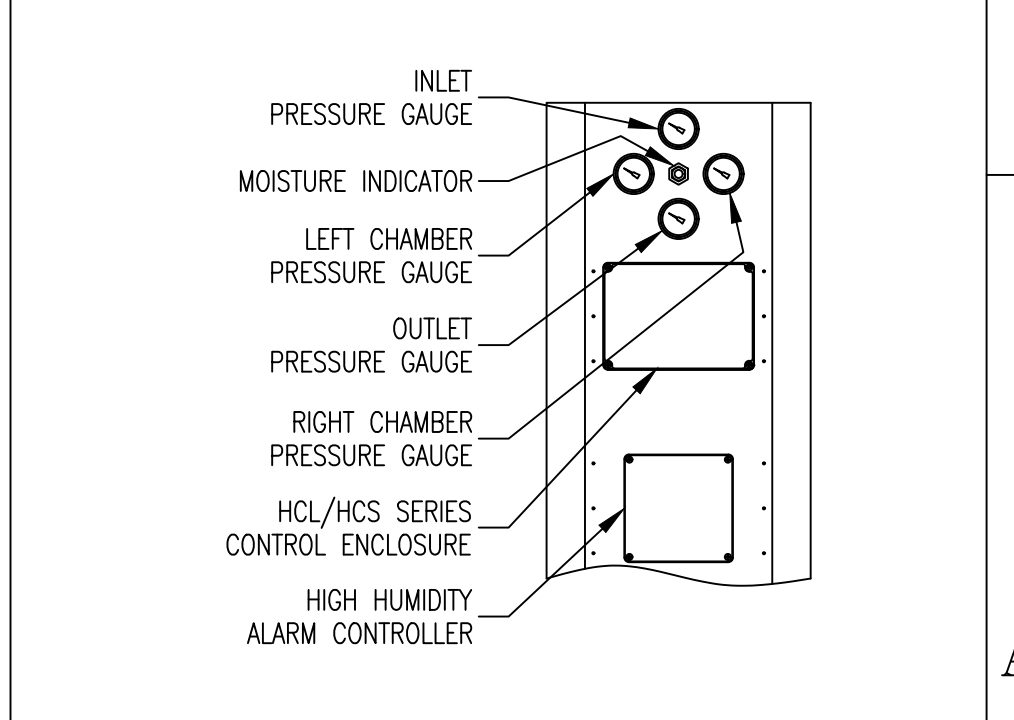
HCT SERIES CONTROL W/HIGH HUMIDITY ALARM OPTION



HCL/HCS SERIES CONTROL W/DEW POINT MONITOR OPTION



HCL/HCS SERIES CONTROL W/HIGH HUMIDITY ALARM OPTION



UNLESS OTHERWISE SPECIFIED:		NAME	DATE	UNAUTHORIZED USE, MANUFACTURE, OR REPRODUCTION IN WHOLE OR IN PART IS PROHIBITED. DRAWING DESIGN AND OTHER DISCLOSURES ARE PROPERTY OF:
DIMENSIONS ARE IN: INCHES/MM		DWN BY	SDM	
SURFACE FINISH: N/A ✓		ENG BY	DEH	08/01/11
TOL.	MM INCHES	CHK BY	DBR	08/01/11
.X		APP BY	MPS	08/01/11
.XX		REL BY	SDM	08/01/11
.XXX		CAT NO.		
FRACT: ±1/2	ANG: ±2°	ID NO.		
SCALE: 5/64	WT: N/A			



GENERAL ARRANGEMENT  
HCS/HCL/HCT 165

SIZE DWG. NO. D 0059308-165 REV. SHEET 1/1