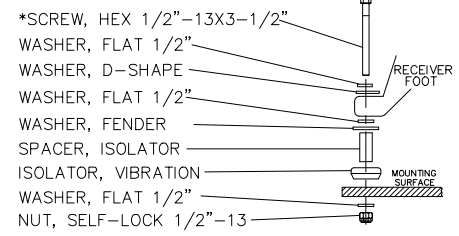
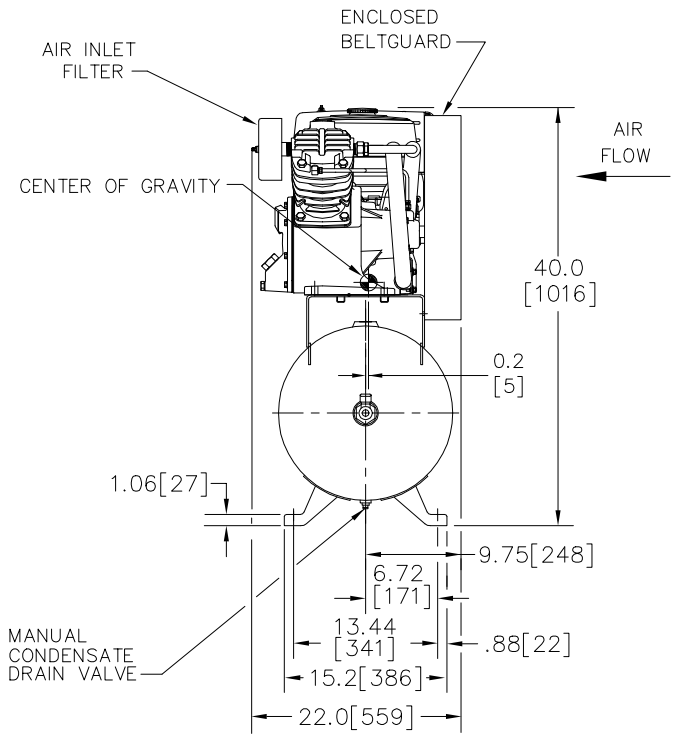
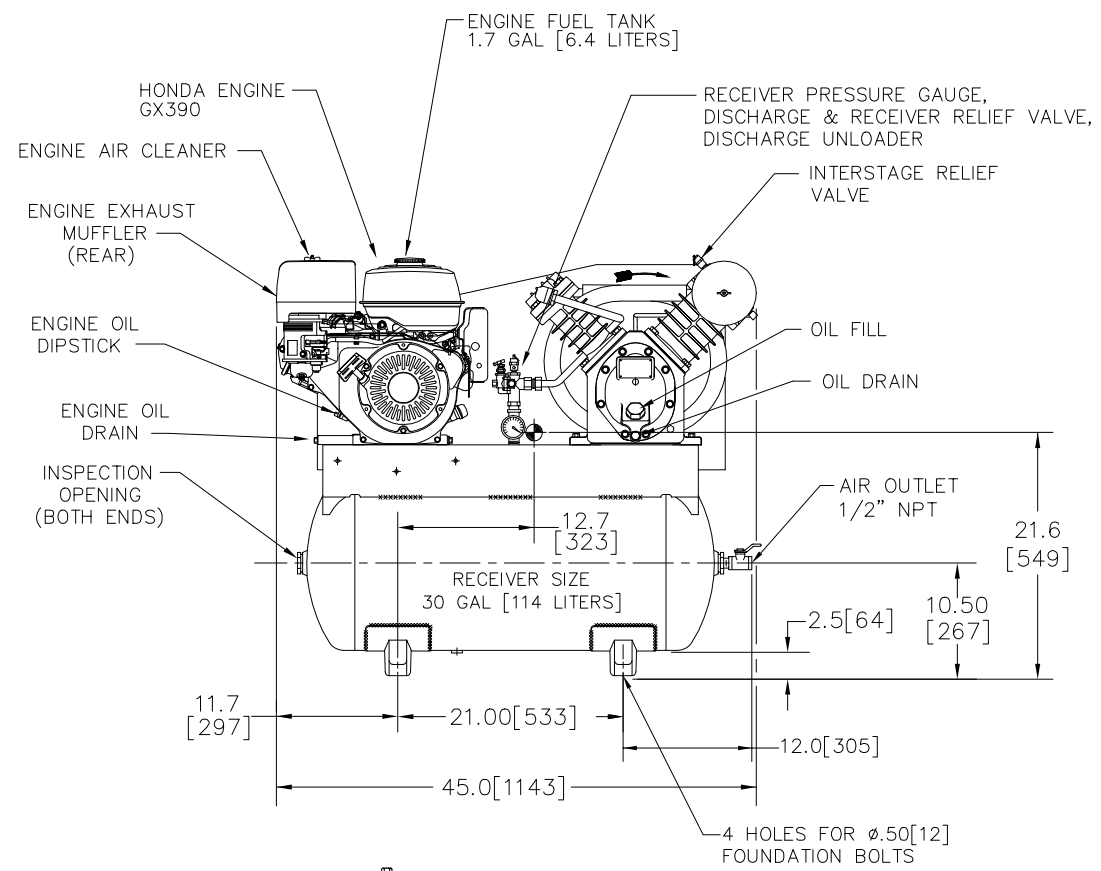


REVISIONS						
ZONE	REV	ECN	DESCRIPTION	DATE	DRAWN	APP'D
	00	95R00298	EPR# 95-017	1995AUG15	K.Bailey	J.Ballard
	01	99R00651	UPDATED THE GA AND ADDED METRIC VALUES ON ALL WEIGHTS, POWER AND DIMENSIONAL UNITS.	1999NOV29	J.Smith	J.Ballard
	02	03R00324	REVISED THE GA TO REMOVE GX340KT FROM THE HONDA ENGINE WORKING AND ADDED IN THE REF AREA /247513GH	2003MAR14	G.Tungate	J.Ballard
	C	ITS10329	UPDATED RECEIVER, UPDATED TITLE BLOCK, REVISED NOTE 3, ADDED THE CENTER OF GRAVITY AND ADDED THE ISOLATOR KIT ASSEMBLY ILLUSTRATION	2011AUG10	G.Levi	J.Smith
	D	ITS104109	REVISED PLACEMENT OF WASHERS OF ISOLATOR KIT ASSEMBLY.	2012JUL10	C.Coffey	J.Smith



TRUCK BED MOUNTING OF VIBRATION ISOLATOR KIT ASSEMBLY

NOTES:

- FOUNDATION OR FLOOR MUST BE LEVEL AND SUPPORT ALL FEET EQUALLY; IF NECESSARY SHIM OR GROUT THE FOURTH FOOT.
- FOUNDATION BOLTS SHOULD PROJECT THRU NUTS AT LEAST 1/2" [13] TO ALLOW FOR LEVELING.
- COMPRESSOR UNIT TO BE PROPERLY MOUNTED TO SOLID SURFACE USING MOUNTING KIT SUPPLIED. FOR MOUNTING TO CONCRETE FLOORS USE 1/2" CONCRETE ANCHORS (NOT SUPPLIED) IN PLACE OF *1/2" X 3 1/2" HEX SCREW.
- ALLOW AT LEAST 12.00 [305] CLEARANCE MIN. ON ALL SIDES FOR PROPER AIR CIRCULATION.
- ALL UNSPECIFIED TOLERANCES:
 - XXX = ±.12 [3]
 - XX = ±.25 [6]
 - X = ±.50 [13]
- DIMENSIONS IN [] ARE MILLIMETER DIMENSIONS UNLESS OTHERWISE SPECIFIED.
- DRY WEIGHT: APPROX. 455 LBS [206 KG]

DRAWING IN INCHES (METRIC)

APPROVED FOR:	SIZE:	JOB:	SPEC:
IR ORDER NO.	MODEL:	ITEM:	CONTRACTOR:
CUSTOMER:	PISTON DISPLACEMENT cfm (m3/min):	ARCH. ENGR.:	
	SPEED rpm:		
	DISCHARGE PRESSURE RATING psig (kPa):		
CUSTOMER ORDER NO.	ACTUAL DELIVERY cfm (m3/min)		
PER:	REGULATION:		

THIS DRAWING CONTAINS CONFIDENTIAL AND TRADE SECRET INFORMATION IS THE PROPERTY OF INGERSOLL RAND CO. AND IS LOANED TO THE RECEIVER IN CONFIDENCE. THE RECEIVER BY ACCEPTANCE AND RETENTION OF THE DRAWING ACCEPTS THE DRAWING IN CONFIDENCE AND AGREES THAT, EXCEPT AS AUTHORIZED IN WRITING BY INGERSOLL-RAND CO. IT WILL (1) NOT USE THE DRAWING OR ANY COPY THEREOF OR THE CONFIDENTIAL OR TRADE SECRET INFORMATION THEREIN; (2) NOT COPY, THE DRAWING; OR (3) DISCLOSE TO OTHERS EITHER THE DRAWING OR THE CONFIDENTIAL OR TRADE SECRET INFORMATION THEREIN; AND (4) UPON COMPLETION OF THE NEED TO RETAIN THE DRAWING, OR UPON DEMAND, RETURN THE DRAWING, ALL COPIES THEREOF, AND ALL MATERIAL COPIED THEREFROM.

THIRD ANGLE PROJECTION	DRAWN: K.Bailey	DATE: 2003MAR14
	CHECKED: D.Adams	DATE: 2003MAR14
	APPROVED: J.Ballard	DATE: 2003MAR14

GENERAL ARRANGEMENT
2475F13GH HONDA
GA2711000
D