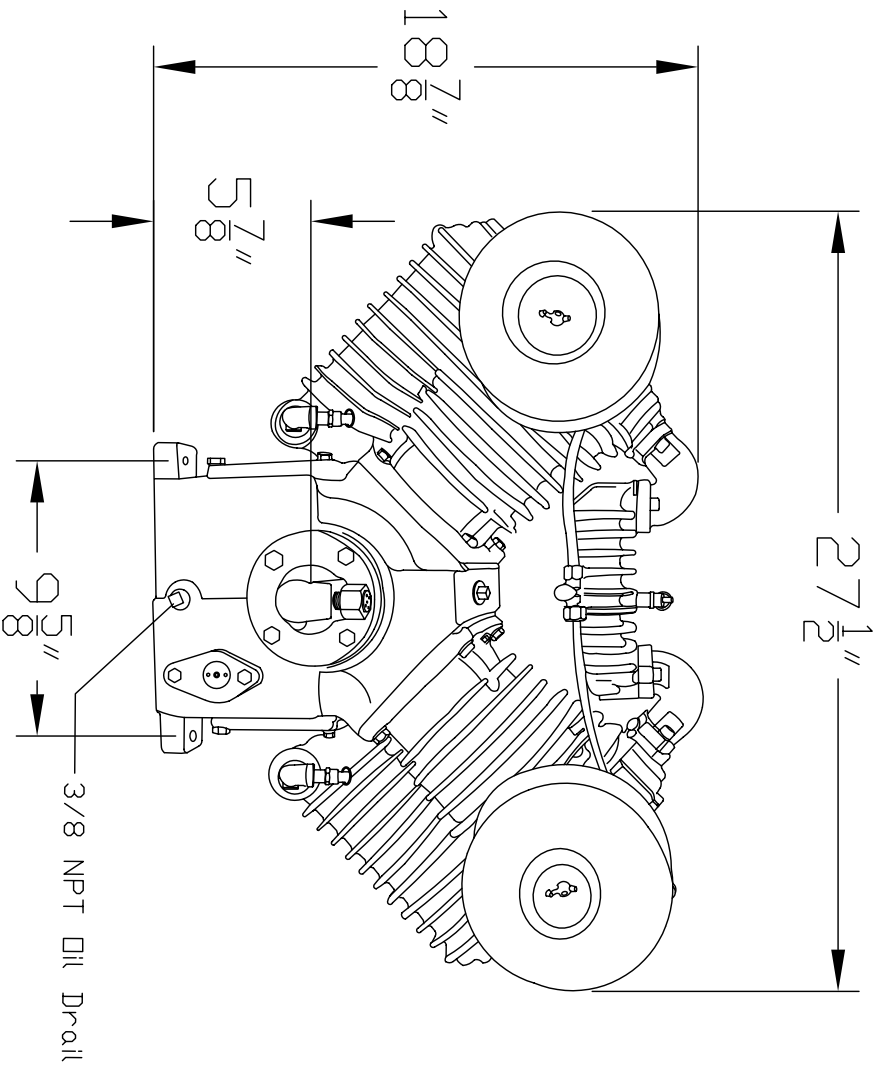
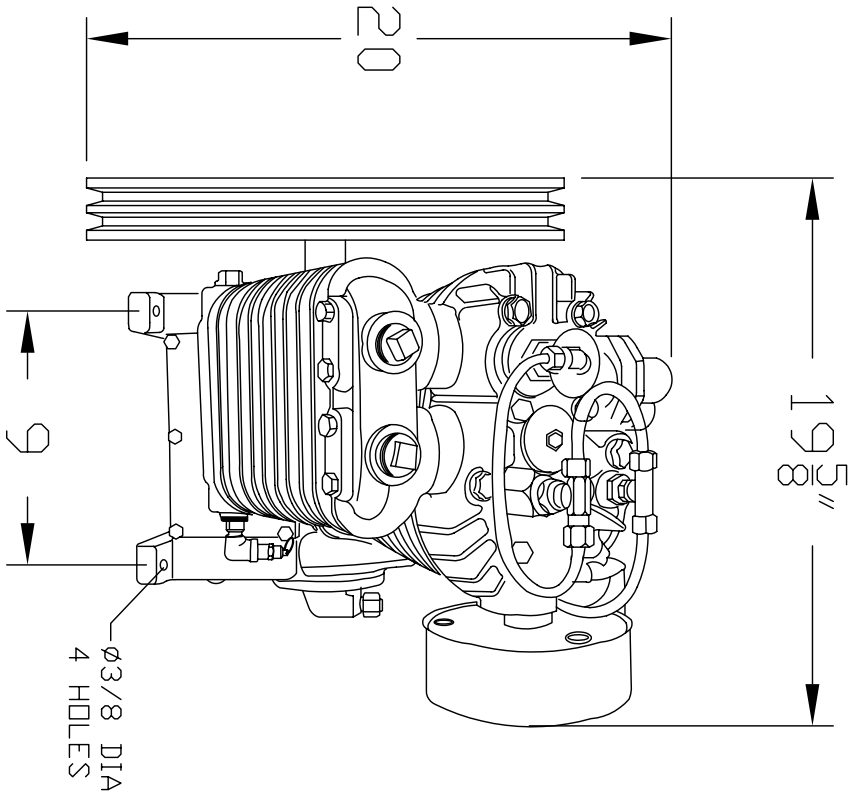


REV.	DESCRIPTION	DRW. BY	DATE:
------	-------------	---------	-------

TSM-2105



MODEL:	UNLESS OTHERWISE SPECIFIED ALL DIMENSIONS TO BE ENGLISH UNLESS INDICATED OTHERWISE.
MAT'L:	TOLERANCES:
SEE ABOVE	DECIMAL: .XXX=±.010
FINISH:	.XXXX=±.005
NONE	FRACTIONS=±1/64
	ANGLES=±0°30'

THIS DRAWING HAS BEEN FURNISHED BY WORLD-DAIR PRODUCTS, INC. INFORMATION GIVEN HEREIN IS FOR YOUR INFORMATION ONLY. IT IS NOT TO BE USED FOR THE DESIGN OR CONSTRUCTION OF ANY EQUIPMENT WITHOUT THE WRITTEN PERMISSION OF WORLD-DAIR PRODUCTS, INC. THIS DRAWING IS SUBJECT TO RETURN UPON REQUEST.		
FUNCTION:	NAME:	DATE:
DRAWN BY:	AGP	9/15/05
DES. ENG.	CHECKED:	
TRACED:	APPROVED:	
SCALE:	SHEET	OF
World-Dair PRODUCTS 15 HAMPDEN DR. SO. EASTON, MA 508-230-7118		
CAD FILE NO.: DESCRIPTION: 10 HP COMP PUMP SIZE: DRAWING NO. TSM-2105 REV.		