

4

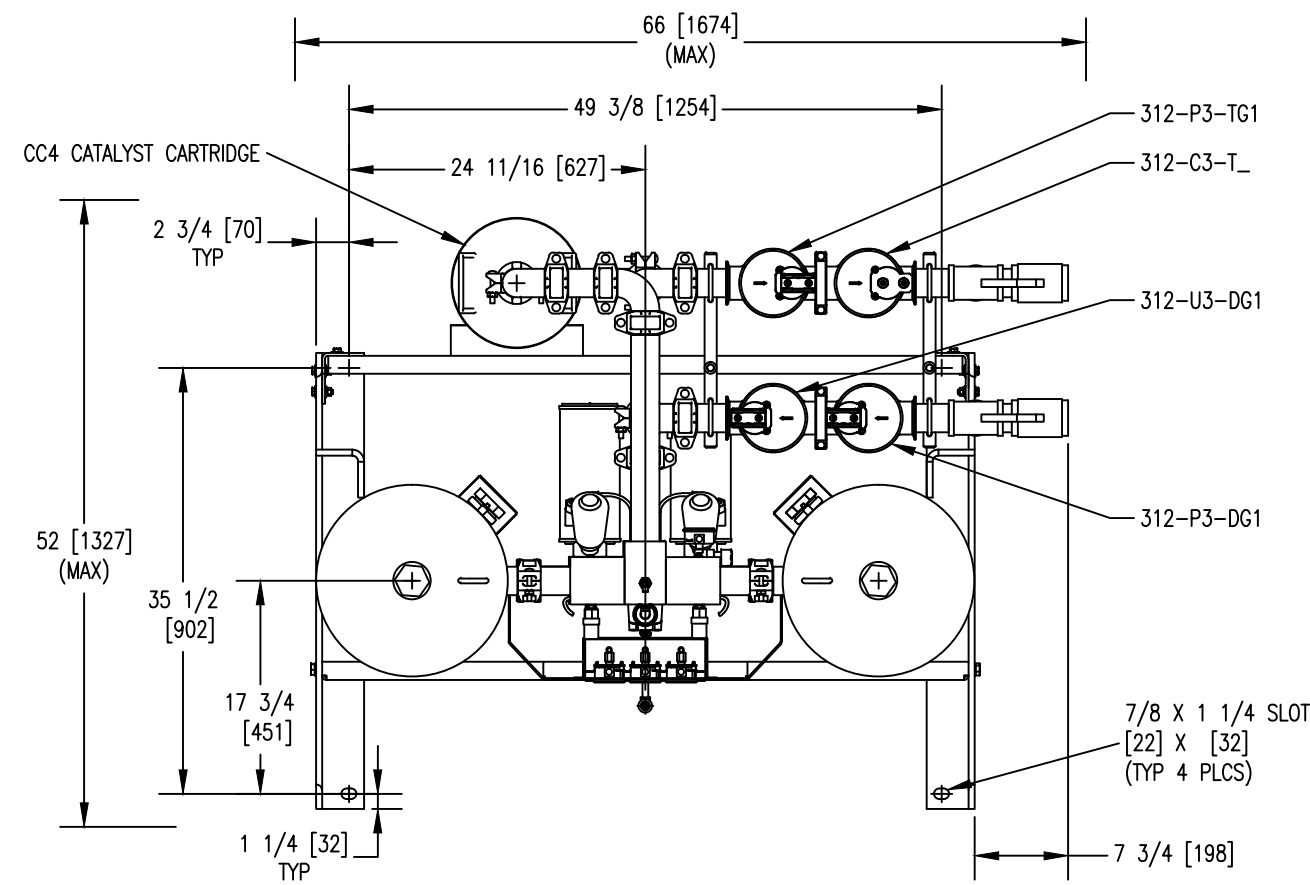
3

2

1

- REVISIONS -

ZONE	REV	DESCRIPTION	CHG BY	CHK BY	APP BY	REL BY	DATE
-	A	UPDATE PILOT AIR FILTER TO NGF STYLE.	NDM	SDM	DEH	SDM	07/02/14
-	B	312 PRE AND AFTERFILTERS WERE 311.	SDM	DEH	DEH	SDM	07/01/15



TOP VIEW

NOTES:

1. THIS DRAWING, TOGETHER WITH P&ID AND SPECIFICATION SHEET, PROVIDES OPERATING CONDITIONS, SPECIFICATIONS, INSTALLATION, MOUNTING AND CONNECTION REQUIREMENTS.
2. DESICCANT DRYER CHAMBERS ARE DESIGNED AND BUILT IN ACCORDANCE WITH THE CURRENT CODE AND ADDENDA OF SECTION VIII, DIV. 1, OF THE A.S.M.E. CODE FOR UNFIRED PRESSURE VESSELS.
3. ELECTRICAL CONSTRUCTION IS IN ACCORDANCE WITH THE NATIONAL ELECTRICAL CODE.
4. ANCHOR BOLTS ARE TO PROJECT A MINIMUM OF 2" ABOVE THE FOUNDATION. ANCHOR BOLTS SHOULD BE INSTALLED IN SLEEVES TO ALLOW SOME ADJUSTMENT AT TIME OF INSTALLATION.
5. EXTERNAL PIPING MUST BE RIGIDLY MOUNTED AND NOT SUPPORTED BY THIS UNIT.
6. FOR MAINTENANCE PURPOSES, RECOMMENDED CLEARANCE AROUND UNIT IS 4 FEET [1220 MM].
7. BREATHING AIR PURIFIERS CANNOT BE SUPPLIED WITH, OR REACTIVATED BY, ANY GAS OTHER THAN AIR. DO NOT PIPE PURGE EXHAUST TO A REMOTE LOCATION WITHOUT CONSULTING THE FACTORY.

8. CUSTOMER SHOULD REQUEST A COPY OF QMS-013 IF PLANNING ON STORING UNIT LONG TERM BEFORE PLACING INTO SERVICE.

9. OPERATING CONDITIONS:

INLET AIR PRESSURE:

MAXIMUM:	150 PSIG	10.5 KGF/CM2
MINIMUM:	60 PSIG	4.2 KGF/CM2
DESIGN:	100 PSIG	7.0 KGF/CM2

INLET AIR TEMPERATURE:

MAXIMUM:	140 °F	60 °C
MINIMUM:	35 °F	1.7 °C
DESIGN:	100 °F	37.8 °C

AMBIENT AIR TEMPERATURE:

MAXIMUM:	120 °F	49 °C
MINIMUM:	35 °F	1.7 °C
DESIGN:	100 °F	37.8 °C

AIR FLOW:

INLET:	370 SCFM @ 100 PSIG & 100 °F
	629 M3/HR @ 7.0 KGF/CM2 & 37.8 °C
OUTLET:	305 SCFM @ 100 PSIG & 100 °F
	518 M3/HR @ 7.0 KGF/CM2 & 37.8 °C

10. SUPPLY POWER:

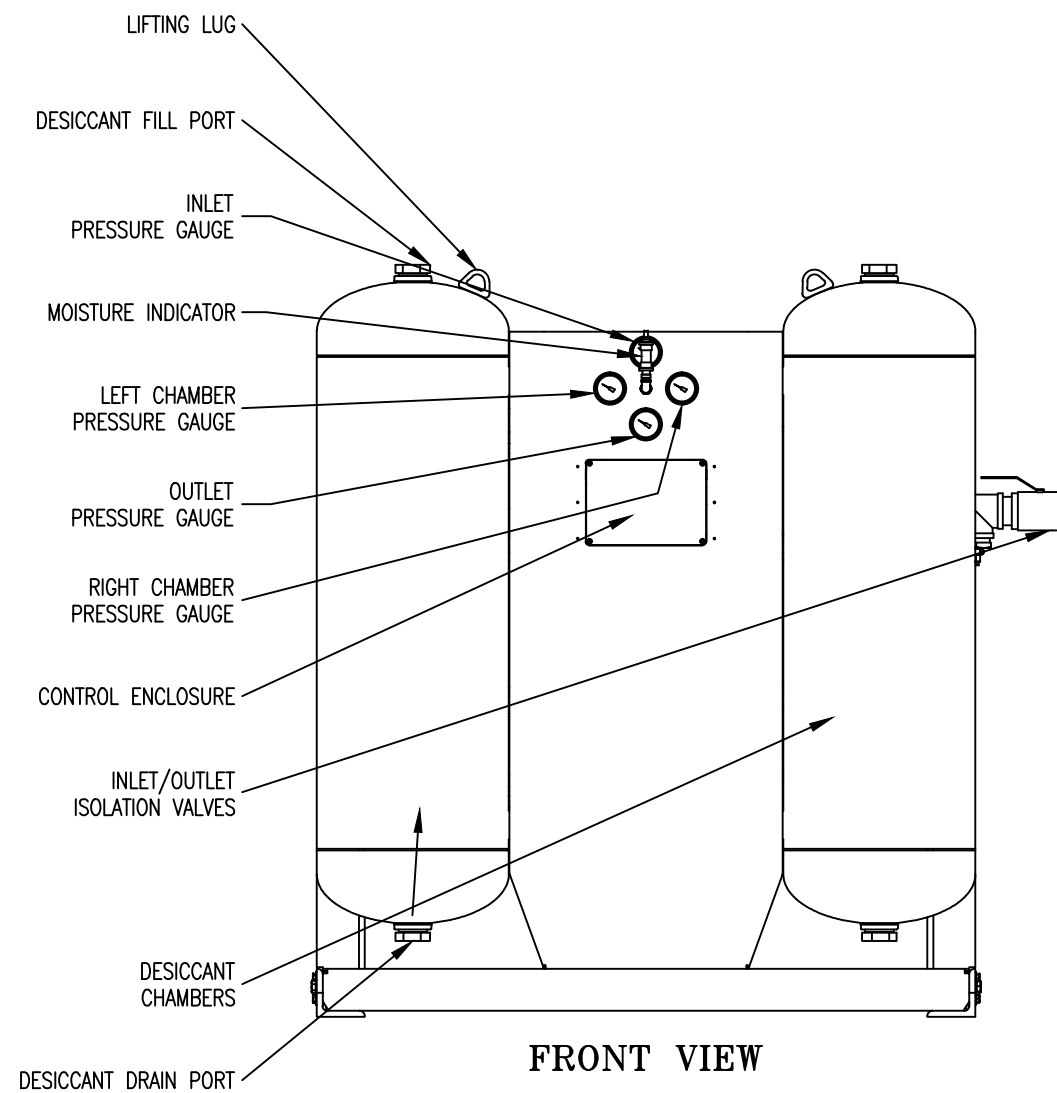
85-264 VAC, 1 PH, 47-63 HZ OR 11.5-28 VDC

11. AVAILABLE OPTIONS:

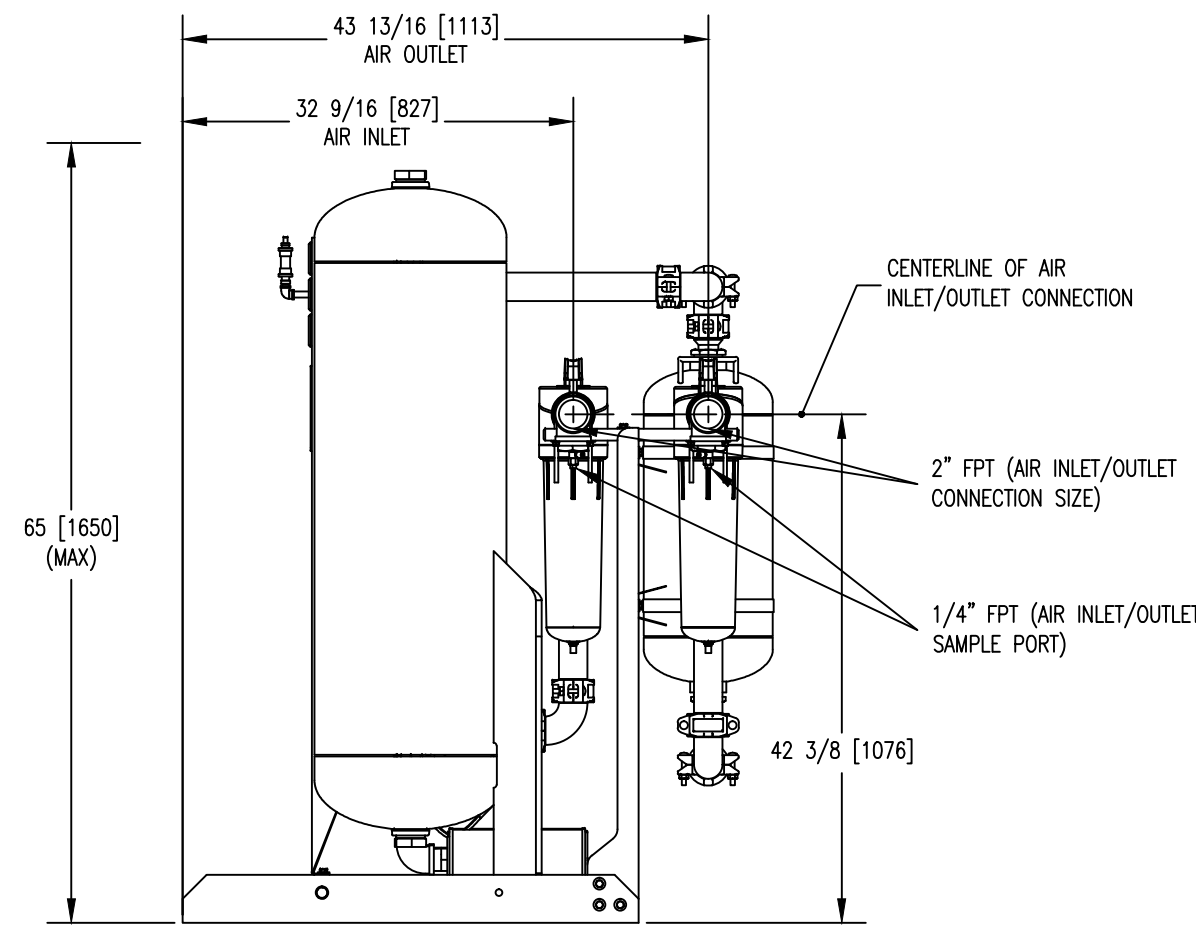
- L2 - ADVANCED CONTROLLER WITH:
 - VACUUM FLUORESCENT TEXT DISPLAY
 - PURGE SAVER AUTOMATIC ENERGY SAVINGS
 - HIGH INLET AIR TEMPERATURE ALARM
 - LOW INLET AIR PRESSURE ALARM
- N7 - NEMA7 ELECTRICAL RATING
- CB - COPPER INSTRUMENT TUBING
- SS - STAINLESS STEEL INSTRUMENT TUBING, FITTINGS, AND GAUGES
- AZ1 - CO MONITOR
- AZ2 - CO & OXYGEN MONITOR
- AZ3 - CO & DEW POINT MONITOR
- AZ4 - CO, OXYGEN, & DEW POINT MONITOR
- 10 - SSPC-SP10 SANDBLAST & EPOXY PAINT

12. WEIGHTS: SHIPPING WEIGHT 1405 LBS. (APPROX.)
639 KGS

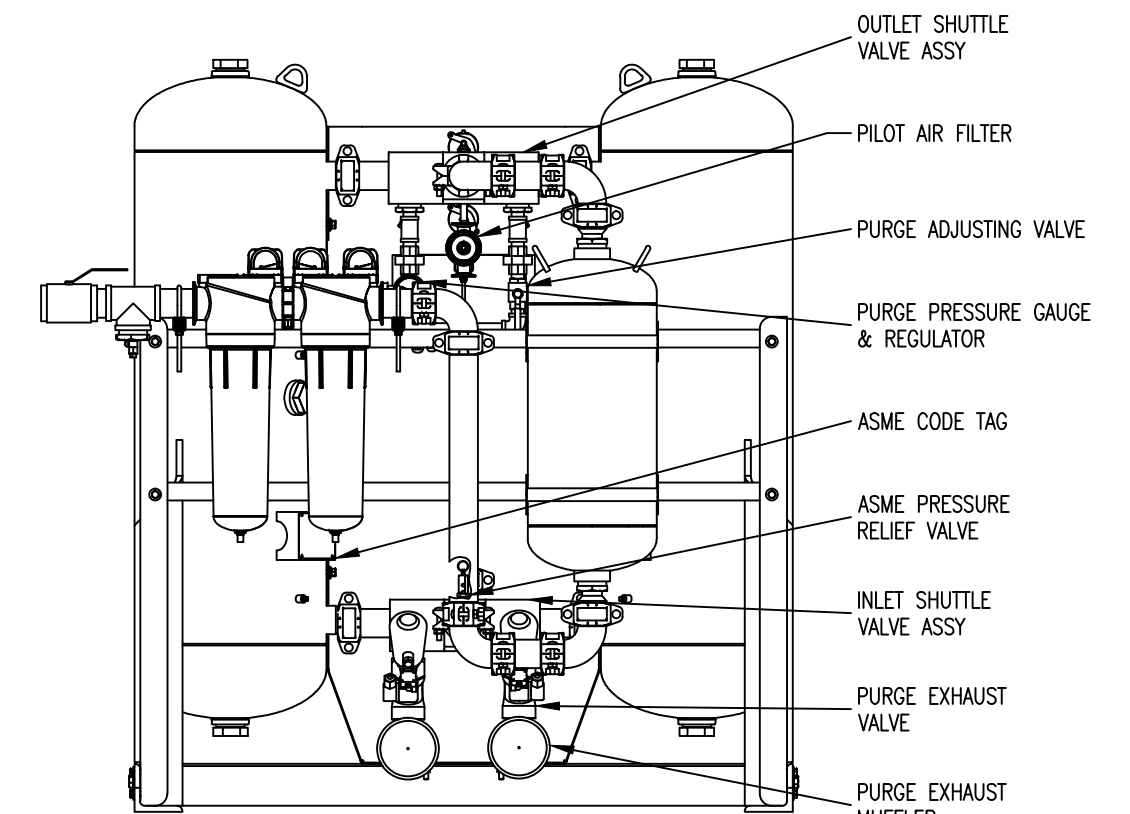
OPERATING WEIGHT 1405 LBS. (APPROX.)
639 KGS



FRONT VIEW



SIDE VIEW



REAR VIEW

UNLESS OTHERWISE SPECIFIED:		NAME	DATE	UNAUTHORIZED USE, MANUFACTURE, OR REPRODUCTION IN WHOLE OR IN PART IS PROHIBITED. DRAWING DESIGN AND OTHER DISCLOSURES ARE PROPERTY OF:
DIMENSIONS ARE IN INCHES/MM		DWN BY	MDM 04/30/14	
SURFACE FINISH: N/A ✓		ENG BY	SDM 04/30/14	<p>* DO NOT SCALE. USE DIMENSIONS ONLY *</p> <p>GENERAL ARRANGEMENT DM 305, BREATHING AIR PURIFIER, NGF</p>
TOL.	MM	CHK BY	SDM 04/30/14	
.X	-	APP BY	SDM 04/30/14	
.XX	-	REL BY	SDM 04/30/14	
.XXX	-	MAT NO.	----	
FRACT: ±1/2 ANG: ±2°		SIZE	C	DWG. NO.
SCALE: 1/16 WT: N/A		0072208-305		REV. SHEET
		B 1/1		

4

3

2

1